

Certikin

GENIE GAS CONDENSING POOL HEATERS

• MB35S • MB50S •

FEATURES

- Available in:
36kW (123,000 btu) and 49kW
(167,000btu) outputs
- Only one unit to stock for either
natural or LPG - supplied natural gas
with conversion kit to LPG included
- Tamper proof lockable pool
temperature display in °C or °F
- Up to 94% condensing efficiency
equivalent to SEDBUK A
- Running costs reduced by up to 30%
- Environmentally friendly
- Modulating output for accurate
temperature control and increased
efficiency
- IP44 for indoor or outdoor
installations
- Quiet running
- Lightweight compact design
- Pool connection left to right OR
right to left
- Simple condensate disposal
connections left or right side
- Pre-plumbed C/W a double non
return valve and filling loop
- Plastic flue kits, push fit horizontal
and / or vertical up to 20 metres
- Honeywell controls
- Multiple heater kit options up to
400kW output (8 heaters)
- CCP pool controller compatible
- Wall mounting kit available
- Commissioning / Diagnostic display
with service required indicator
- Suitable for salt chlorinated pools



The Certikin Genie range of gas condensing pool heaters use the latest technology to provide efficient and rapid pool heating.

Delivering up to a staggering 94% efficiency, the Genie can save up to 30% running cost over traditional direct fired gas pool heaters.



**Manufactured
in the UK**

GENIE GAS CONDENSING HEATERS

Your pool is a long term investment that you, and your family will enjoy for many years. This superb condensing gas heater is the perfect way to heat your pool, whilst being environmentally friendly and reducing the running costs by up to 30%.

Efficiency

At the heart of every Genie lives a super quiet state-of-the-art stainless steel heat engine. Using a fully modulating fan and gas valve, we guarantee a precise and clean burn every time with a perfect air/fuel mixture. Condensing technology allows the Genie to perform at up to 94% efficiency ensuring that the heat goes into your pool water, not into the air.

Installation

Practicality and flexibility are important features of any pool heater and the Genie offers both in abundance. Every heater is factory set to run on Natural Gas and the simple insertion of a special washer during installation converts to Propane Gas in minutes. All units can be installed either indoors or outdoors and a variety of flue options will cover almost any installation situation.

The plastic push fit horizontal and vertical flue systems will work on runs of up to 20 metres equivalent (e.g. 1 x 90° elbow = 1.5metres) and are simple to fit.

With pool water connections on either left to right or right to left and even being suitable for wall mounting, the Genie is the most flexible pool heater available.



User Friendly Operation

Simple operation via the lockable temperature control dial and large clear digital display means the customer is in full control of the pool water temperature. The Microprocessor Control System constantly monitors pressure, flow, temperature and safety to ensure accurate pool temperature is maintained.

The electronic diagnostics eliminate unnecessary service calls and can direct the technician to specific systems during servicing. The Genie even features a service required indicator to advise the pool owner when a service is due.



Reliability

Reliability is assured by the use of quality materials both inside and out. The heat engine produced in stainless steel is designed to last and the Genie casing is polyester coated to withstand the potentially harsh environments that it will be operating in.

The electrical and mechanical components are all proven and sourced from such industry leaders as Honeywell. Customers can rest assured that the Genie Condensing Gas Pool Heater will provide years of trouble-free, efficient heating.

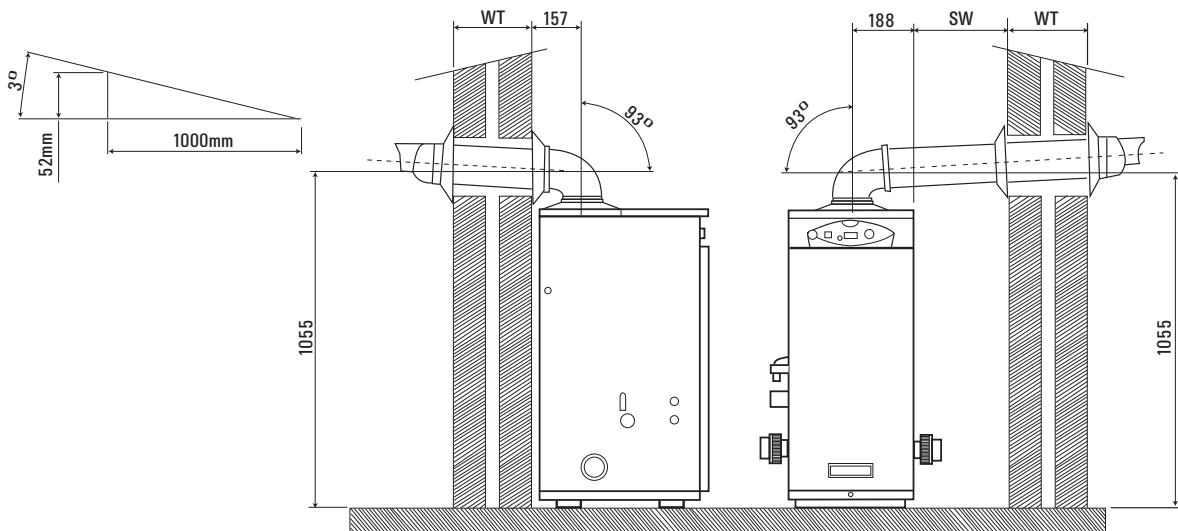
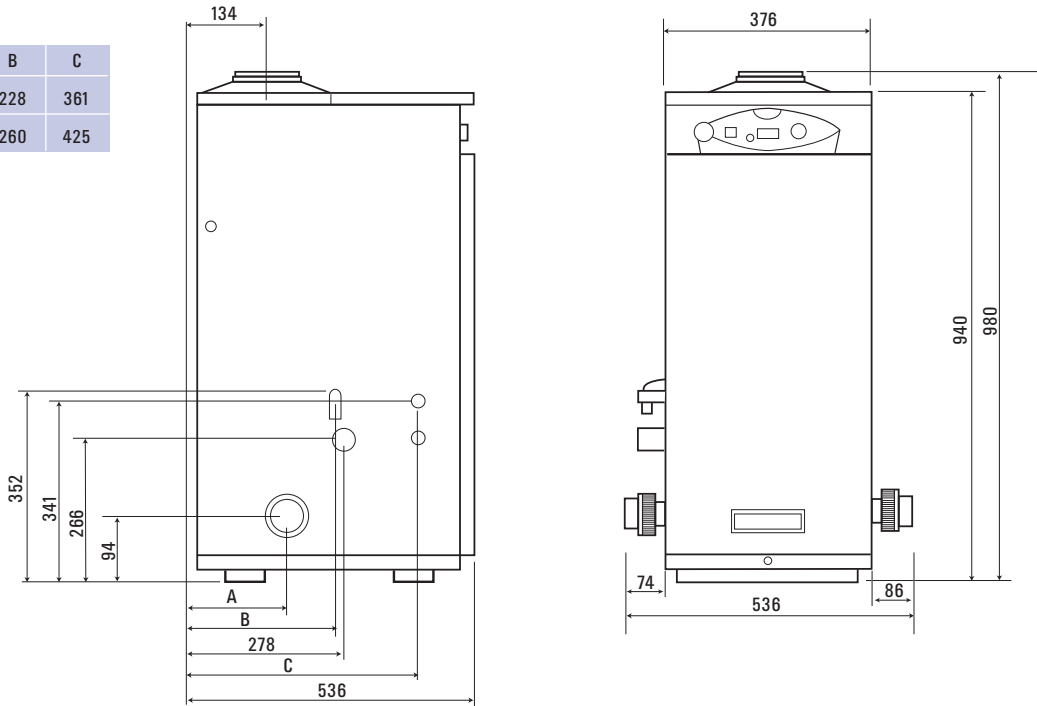


Standard low level balanced flue system

DIMENSIONS

Dimensions in mm

Model	A	B	C
Genie 35	141	228	361
Genie 50	173	260	425



If you should require further technical information
please do not hesitate to contact us.

