

DIMENSIONS / DIMENSIONES / DIMENSIONS

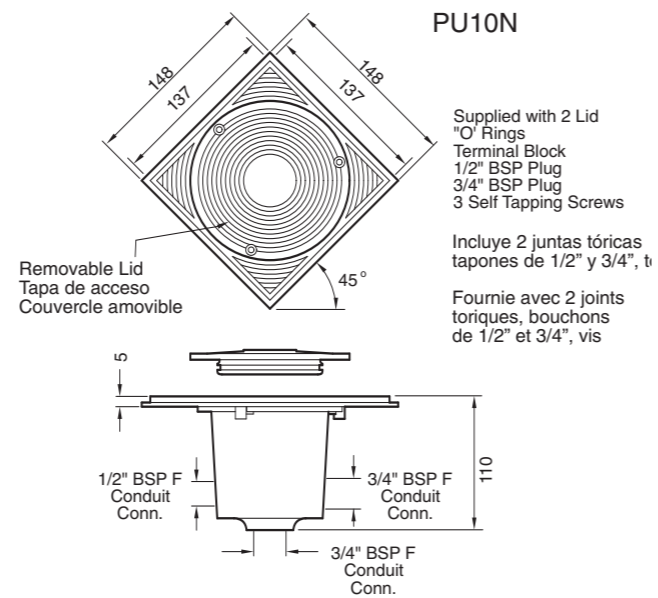
For Par 56 Sealed Beam Lamp / Para foco sellado Par 56 / Pour lampe scellée Par 56

Length of cable run between transformer & deck box Longitud del cable entre el transformador y la caja de conexiones Longueur du câble entre le transformateur et la boîte de connexion			
	Cable Core Area / Área del alma del cable / Surface de l'âme du câble		
Connections	4mm ²	6mm ²	10mm ²
(L-N1) 13V	5M	7M	12M
(L-N2) 14V	6-10M	8-15M	13-25M
(L-N3) 15V	11-15M	16-23M	26-38M
(L-N4) 16V	16-20M	24-30M	39-50M



If Using Halogen Lamp Units Please Note The Following

The choice of cable size is decided by the length of the cable run between the transformer and the deck box. For cable runs up to 21 metres 1.5mm² is suitable. For cable runs up to 34.5 metres use 2.5mm². The maximum cable lengths shown will produce an approximate reduction in lamp brightness of 10%. The minimum length of cable between transformer and deck box must be 5 metres.



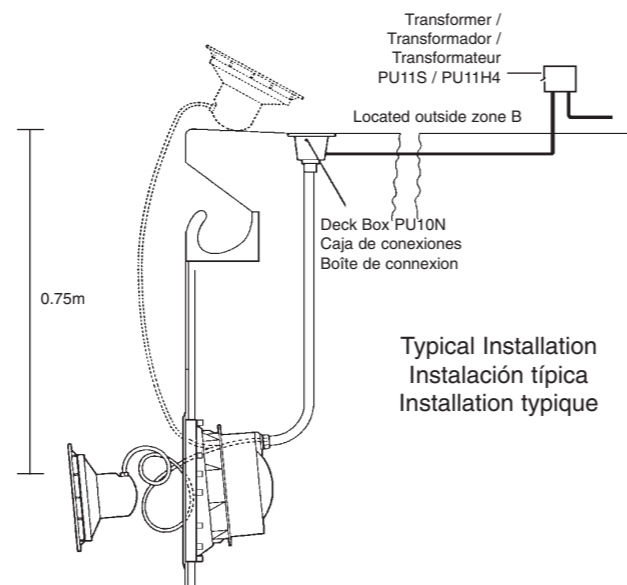
PU10N

Supplied with 2 Lid "O" Rings
Terminal Block
1/2" BSP Plug
3/4" BSP Plug
3 Self Tapping Screws

Incluye 2 juntas tóricas tapones de 1/2" y 3/4", t

Fournie avec 2 joints toriques, bouchons de 1/2" et 3/4", vis

Salidas roscadas Sorties taraudées



Typical Installation
Instalación típica
Installation typique

Uniclass	EPIC
L8133:L747336	K733:B773
CI/SIB	
541/4	(63) X

FEATURES



- Suitable for concrete and liner pools.
- Complete kits include wet niche, flexible conduit, cover plate, lens cover, sealed lamp housing with 300 watt 12v bulb or 100w 11.5v 3000 hour halogen lamp.
- Fitted easy-change 'super strength' clear safety cover.
- Niche designed to angle light beam down 5 degrees to eliminate pool side glare.
- 2.8m, 5m, and 8m cable lengths.
- Locating lugs and combination pozi-drive/slotted housing screws for quick and easy bulb changing.
- Para piscinas de hormigón y piscinas liner
- El kit completo incluye un nicho subacuático, un conducto flexible, placa obturadora, una cubierta para la lente, una carcasa sellada para el proyector con una lámpara de 300W y 12V, o con lámpara halógena de 100 y 11.5V con capacidad para 3.000 horas.
- Con cubierta de seguridad transparente incorporada, superresistente y fácil de cambiar.
- El nicho está diseñado para inclinar la luz con un ángulo descendente de 5 grados, para evitar el deslumbramiento.
- cables de 2,8, 5, 8 m de longitud.
- Espigas de colocación y combinación de tornillos Pozi-drive y de cabeza ranurada para cambiar las lámparas con más rapidez y facilidad.

- Adapté aux piscines en béton et à liner
- Les kits comprennent une niche sous-marine, un conduit flexible, une plaque de recouvrement, un couvercle de lentille, projecteur scellé avec une ampoule de 12v 300 watts ou ampoule lampe halogène 100 watts 11.5v 3000 heures.

- Un couvercle de sécurité transparent haute résistance à installation facile.
- Une niche conçue pour orienter l'éclairage de 5 degrés vers le bas pour éliminer l'effet d'éblouissement sur le côté de la piscine.
- Longueurs de câble de 2,8m, 5m et 8m.
- Pattes de fixation et vis à filets interrompus/pozi pour changer facilement et rapidement les ampoules.

Certikin
international ltd

**UNDERWATER
LIGHTING**

Iluminación subacuática • Eclairage sous l'eau



Certikin's range of top quality swimming equipment is designed for all types of swimming pools. By using only Certikin equipment you will ensure ease of supply now and in the future.

La gama Certikin de equipos de alta calidad está diseñada para todas las piscinas. Al utilizar exclusivamente equipos de Certikin, tendrá garantizado un fácil suministro de piezas, tanto ahora como en el futuro.

La gamme d'équipements de haute qualité de Certikin est adaptée à tous les types de piscines. En sélectionnant l'équipement Certikin, vous choisissez une fourniture garantie aujourd'hui et demain.



Certikin
international ltd





Certikin Underwater Lights



UNDER WATER LIGHTING

Underwater Light PU9

The Certikin underwater light incorporates features absent from other underwater systems. The unique Micallef fittings at the niche and deck box enable the installer to fit non-standard conduit lengths. 15m reels are available – part no. **SPC464**.

Every light comes complete with a factory fitted clear polycarbonate safety cover (**PU15C**). Also available in blue, red and green, these can be purchased along with a compatible front plate to suit existing installations (**PU15N**).

Every light comes with a finishing fascia ring. The liner/shutter version clips onto the clamp plate hiding unsightly screw heads; the concrete version is easily fitted to the niche surround and is designed to cover tiling edges.

The fascia rings are compatible with all Certikin underwater lights manufactured since 1968 and are available as spares for retro-fitting (Concrete – **SPC475**; Liner **SPC476**).

Bulb changing is now easier than ever with combination pozidrive / slotted screw heads, locating lugs and high-tech nickel plated inserts.

The niche is cleverly designed to angle the beam down by 5 degrees which means the lights can be positioned to accomplish the optimum effect in the pool without glare at the poolside.

PU9CS 300W 12V for concrete pools

PU9LS 300W 12V for liner pools

PU9CLS 300W 12V for concrete 'shutter' pools

PU9CH 100W 11.5V Halogen for concrete

PU9LH 100W 11.5V Halogen for liner pools

PU9CLH 100W 11.5V Halogen for concrete 'shutter' pools

Replacement sealed unit PU93S/H/ST

Replacement 'guts' units with conventional or halogen bulbs **PU93S** or **PU93H**. Each pack includes the entire internal unit for the PU9 light, a new **PU10N** deck box lid, screws and a pull string for easy installation.

PU9HG. For all existing Certikin halogen light installations, the **PU9HG** unit provides the easiest possible bulb change. Simply unplug the quick release cable at the pool side and plug in the new unit.

PU9ST – Alternative to **PU93S** gut pack comes complete with stainless steel front plate.

Replacement bulb kits PU8 & SPC556HN

The **PU8** is the only replacement bulb kit suitable for the conventional 300 watt light, it is supplied complete with accessories essential when changing the bulb – o'ring, terminal screws and emery paper for cleaning the cable terminals.

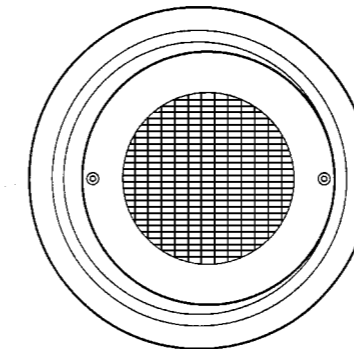
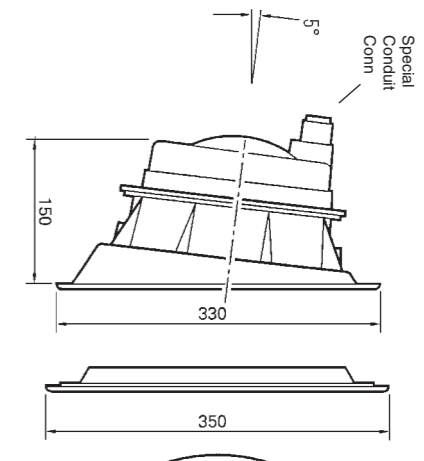
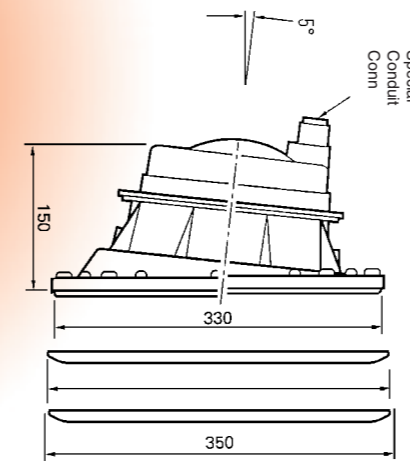
The MK2 halogen bulb kit (**SPC556HN**) includes a replacement bulb, a cleaning cloth for polishing the stainless steel reflector and a replacement o'ring.

Deck Box PU10N

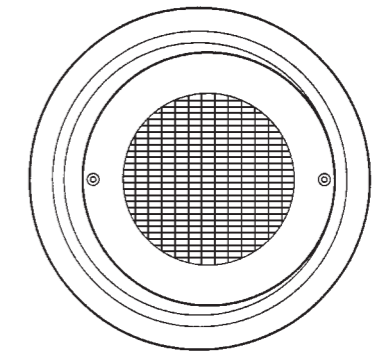
Deck mounted junction box for connecting the cables between the u/w light and the transformer. The **PU10N** has a square frame to make tiling easier and its double o'ring sealing system makes it IP65 – jet proof and water tight.

Underwater light connector PU9UC

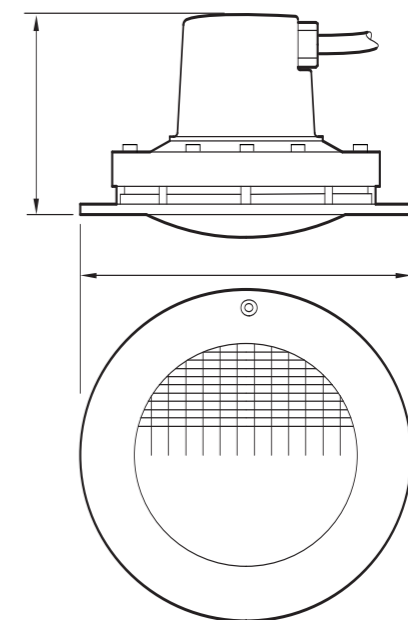
The u/w light 'quick release connector' (**PU9UC**) rated as IP68 – completely submersible – this optional accessory can be fitted to the cable of existing conventional underwater lights. Designed to be wired in minutes it means that future bulb changing can be carried out away from the poolside.



PU9LS / PU9LH



PU9CS / PU9CH



PU93S